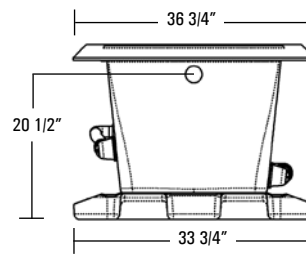
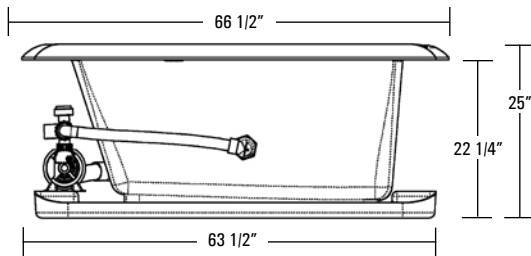
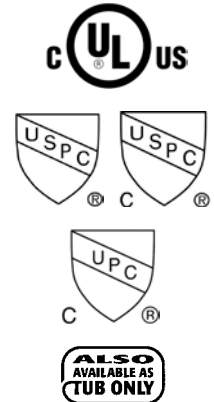
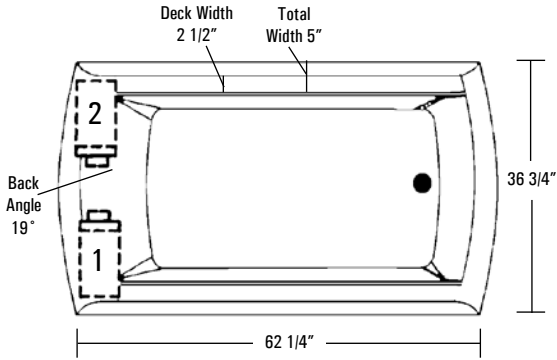
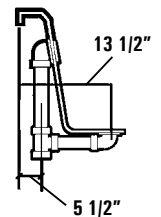


# HOTSOAK 89 MOTIF AQUATIC

**HOTSOAK SERIES** MODEL # AI31AIR6636HS / AI31AIR6636TO (Tub Only)



**Rough-In Plumbing Measurements**



## SPECIFICATIONS:

### GENERAL SPECIFICATIONS:

Tub Size	66 1/2" x 36 3/4" x 25"
	169 cm x 93.3 cm x 63.5 cm
Bathing Well	40" long
	19 1/2" wide
	23" interior depth
Maximum Water Depth	18"
Shipping Weight	183 lbs. / 86 kg
Tub Weight Filled	742 lbs. / 337 kg
Tub Only Weight	98 lbs. / 44 kg
Weight w/Equipment	111 lbs. / 50 kg
Gallons to Overflow	76 gal. / 288 L

### ELECTRICAL SPECIFICATIONS:

Pump	1/15 HP; 1.3 AMP; 110V
Heater	1.5 kW; 12.5 AMP; 110V
Requirements	20 AMP; 110V, separate circuit required protected w/ Class A GFCI

### STANDARD EQUIPMENT:

- Aquatic Quality Features:**
- 1.5 kW Inline Maintenance Heater
  - Run-Dry Pump with 20-Minute Timer
  - 2 Circulation Portal Covers
  - Bath-Side On/Off Electronic Button
  - "Quiet Pad" Anti-Vibration Pump Mount for Quiet Operation
  - Slip Resistant Floor
  - Extra Deep and Long Bathing Well
  - Pre-leveled ABS Support Base
  - Heat-bent Rigid PVC Piping for Optimum Sanitary Conditions
  - Durable, Easy to Clean, Lucite® Cast Acrylic Surface
  - Available in 8 Standard No-Charge Colors
- UL & IAPMO Listed, Factory Tested**  
**Limited Lifetime Warranty**

### OPTIONAL EQUIPMENT:

- Chromotherapy\*
- Comfort Pillow - Oval or Rectangle
- Bolt-On Grab Bar
  - White, Biscuit, Chrome, Polished Brass, Gold, Polished Nickel, Satin Nickel or Oil Rubbed Bronze
- Lift & Turn Waste and Overflow
  - Chrome, Polished Brass, Gold, Polished Nickel, Satin Nickel or Oil Rubbed Bronze
- Cable Drive Waste and Overflow
  - Chrome, Polished Brass, Gold, Polished Nickel, Satin Nickel, Oil Rubbed Bronze or Color Matched (Bone, White and Biscuit Only)
- Optional Pump Location
- Premium Colors

*All acrylic colors featured by Aquatic match the industry's leading fixture manufacturers.*

*\*This whirlpool will need to be hard wired to the breaker box. Three outlets will be supplied on the whirlpool.*

*This unit is not recommended for shower installations.*

**Fax-On-Demand  
Document #1306**

